



# **ME3-NH<sub>3</sub>**

## **Electrochemical Gas Sensor**

### **Manual**

**(Model: ME3-NH<sub>3</sub>)**

**Version: 1.2**

**Valid from: May 1st 2014**

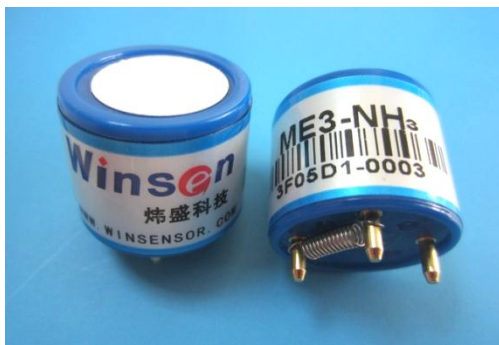
Zhengzhou Winsen Electronics Technology Co., Ltd

## ME3-NH<sub>3</sub> Electrochemical Gas Sensor

ME3-NH<sub>3</sub> electrochemical sensor detect ammonia gas concentration by measuring current based on the electrochemical principle, which utilizes the electrochemical oxidation process of target gas on the working electrode inside the electrolytic cell, the current produced in electrochemical reaction of the target gas are in direct proportion with its concentration while following Faraday law, then concentration of the gas could be get by measuring value of current.

### 1. Features

- \* Low consumption
- \* High precision
- \* High sensitivity
- \* Wide linear range
- \* Good anti-interference ability
- \* Excellent repeatability and stability



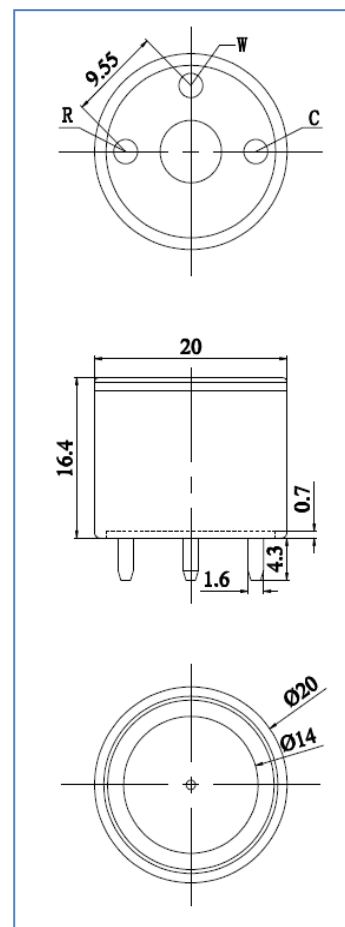
### 2. Application

Widely used in industrial and environmental protection fields

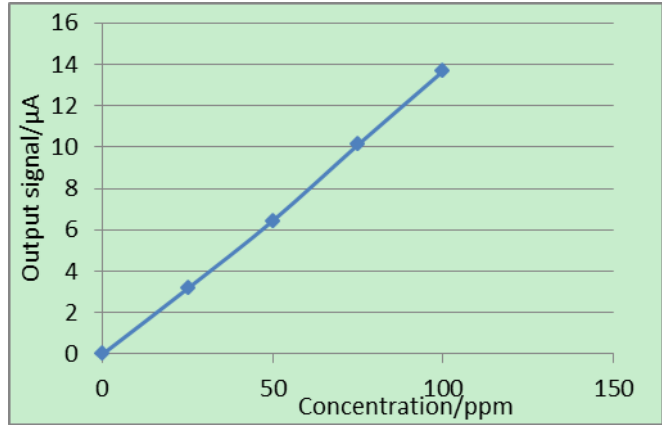
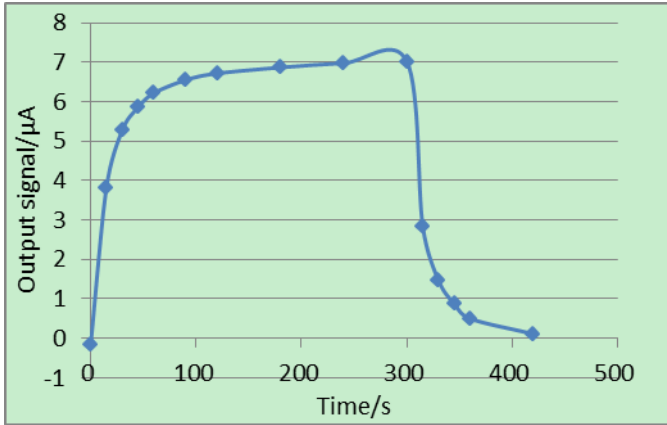
### 3. Technical Parameter

Detection gas	Ammonia NH <sub>3</sub>
Measurement Range	0~100ppm
Max detecting concentration	200ppm
Sensitivity	(0.10±0.05)μA/ppm
Resolution ratio	0.5ppm
Response time (T <sub>90</sub> )	≤90S
Bias voltage	0mV
Load resistance(recommended)	10 Ω
Repeatability	< 10 % output value
Stability ( / month)	< 10 %
Output Linearity	linear
Zero drift (-20℃ ~ 40℃)	-3~10ppm
Storage temperature	-20℃ ~ 50℃
Storage Humidity	15 % ~ 90 % RH
Pressure range	Standard atmosphere ± 10%
Anticipated using life	2 years (2ppmNH <sub>3</sub> )

### 4. External dimension

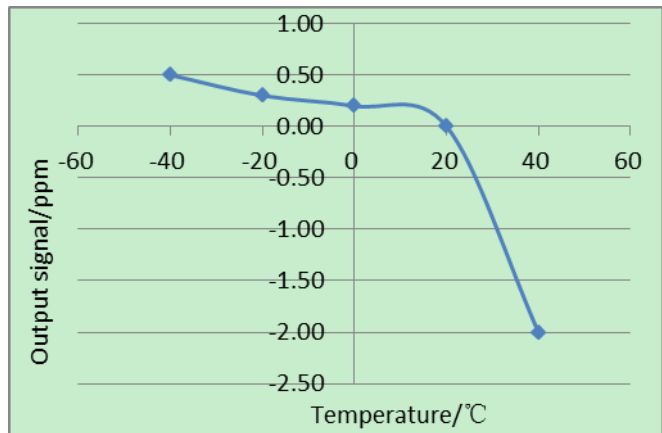
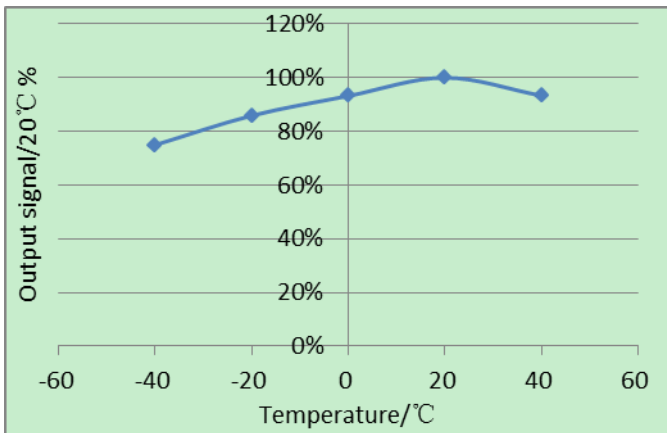


**Description of sensor characters**



**Fig3. Response and Resume**

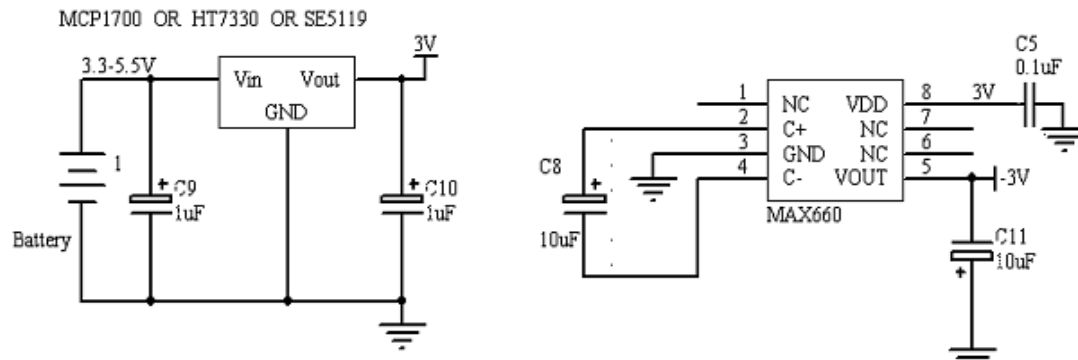
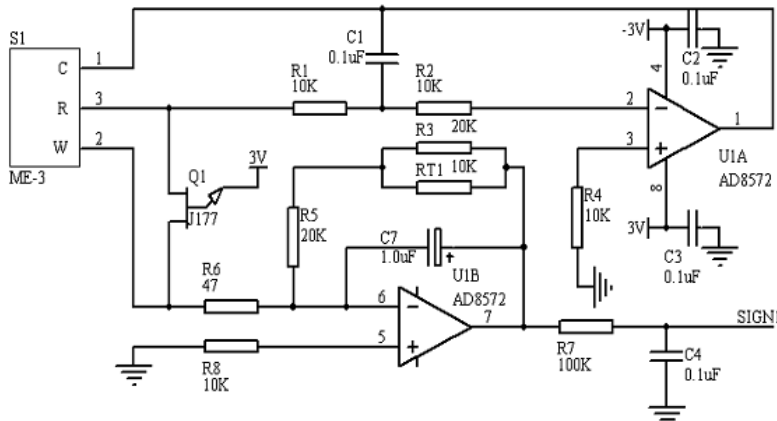
**Fig4. Linearity**



**Fig5. Output of sensor at different temperature**

**Fig6. Zero output of sensor at different temperature**

**6. Basic circuit**



## 7. Anti-Interference:

ME3-NH<sub>3</sub> sensor also responds to other gases besides target gas. Below are the response characteristics of interferential gases

Gas	Concentration	ME3-NH <sub>3</sub>
CO	200ppm	<-6ppm
H <sub>2</sub> S	50ppm	<25ppm
CL <sub>2</sub>	10ppm	<-7ppm
C <sub>2</sub> H <sub>4</sub>	100ppm	0 ppm
H <sub>2</sub>	10000ppm	<14ppm
C <sub>2</sub> H <sub>5</sub> OH	1000ppm	<20ppm
SO <sub>2</sub>	20ppm	<9ppm
PH <sub>3</sub>	20ppm	<18ppm
CH <sub>2</sub> O	10ppm	<38ppm
C <sub>6</sub> H <sub>6</sub>	100ppm	<0.7ppm
CH <sub>3</sub> OH	200ppm	<4ppm

## 8. Application Notes:

- Sensor shall Avoid organic solvent, coatings, medicine, oil and high concentration gases;
- All ME Sensors shall not be encapsulated completely by resin materials, and shall not immerse in pure oxygen environment, otherwise, it will damage the function of sensor;
- All ME sensors shall not be applied in corrosive gas environment, or the sensor will be damaged;
- Please test the sensitivity of gas sensors in clean atmosphere;
- Sensors Shall be avoided to face the gas, which flow directly from front side;
- To avoid to bend and break of pins;
- Blowhole of the sensor should not be blocked and polluted, which will cause the sensitivity decrease;
- Excessive impact or vibration should be avoided;
- Do not use the sensor when the shell is damaged;
- It takes some time for the sensor to return to normal state After applied in high concentration gas;
- Do not take apart the sensor, otherwise electrolyte leakage can cause sensor damage;
- Working electrode and reference electrode of the sensor shall be in short circuit when stored.;
- To preheat over 48hs before using and soldering forbidden;

**Note: To keep continual product development, we reserve right to change design features without prior notice !**

**Zhengzhou Winsen Electronics Technology Co., Ltd**  
**Add.:** NO.299 Jin Suo Road, National Hi-Tech Zone,  
 Zhengzhou, 450001 China